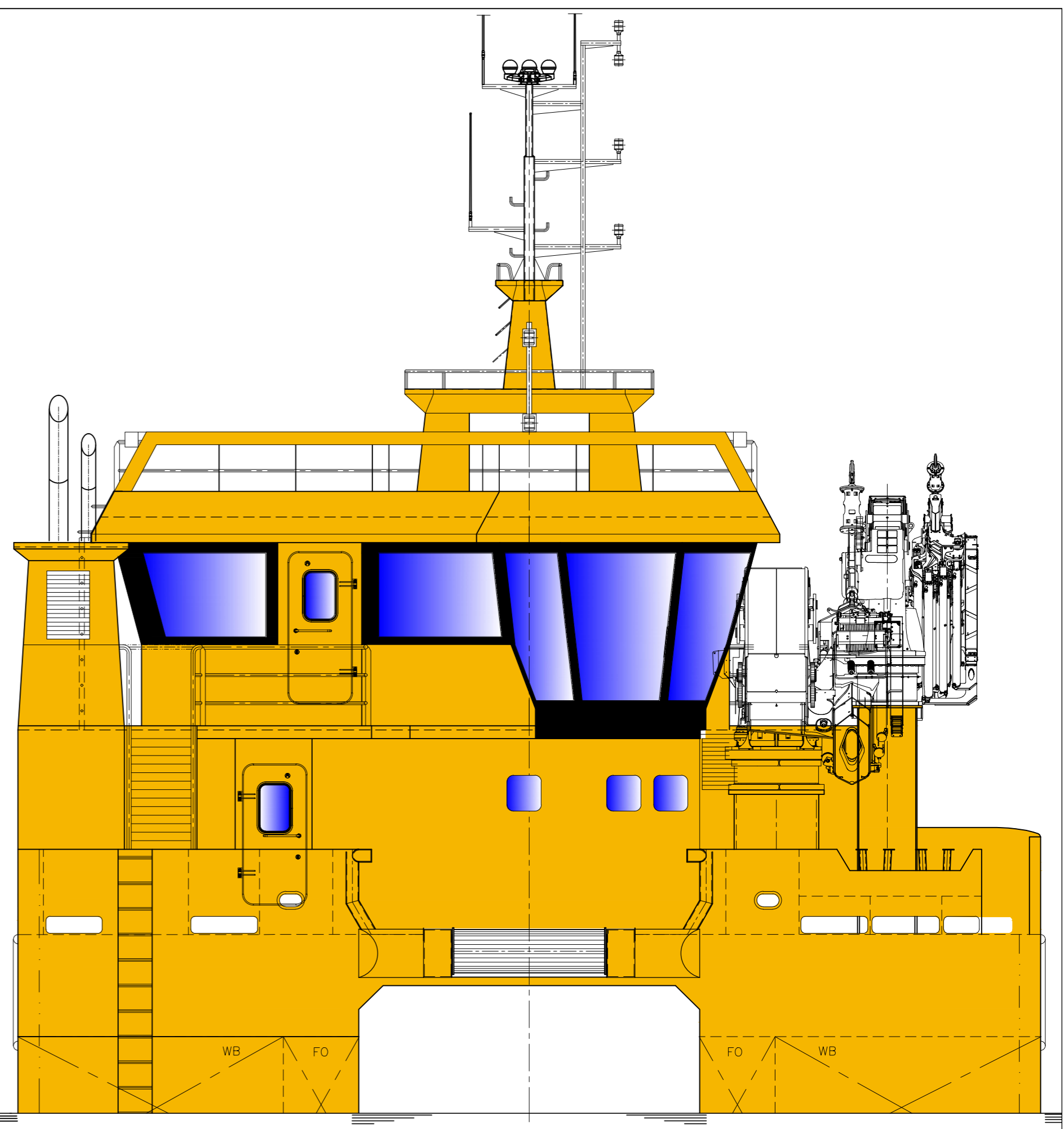
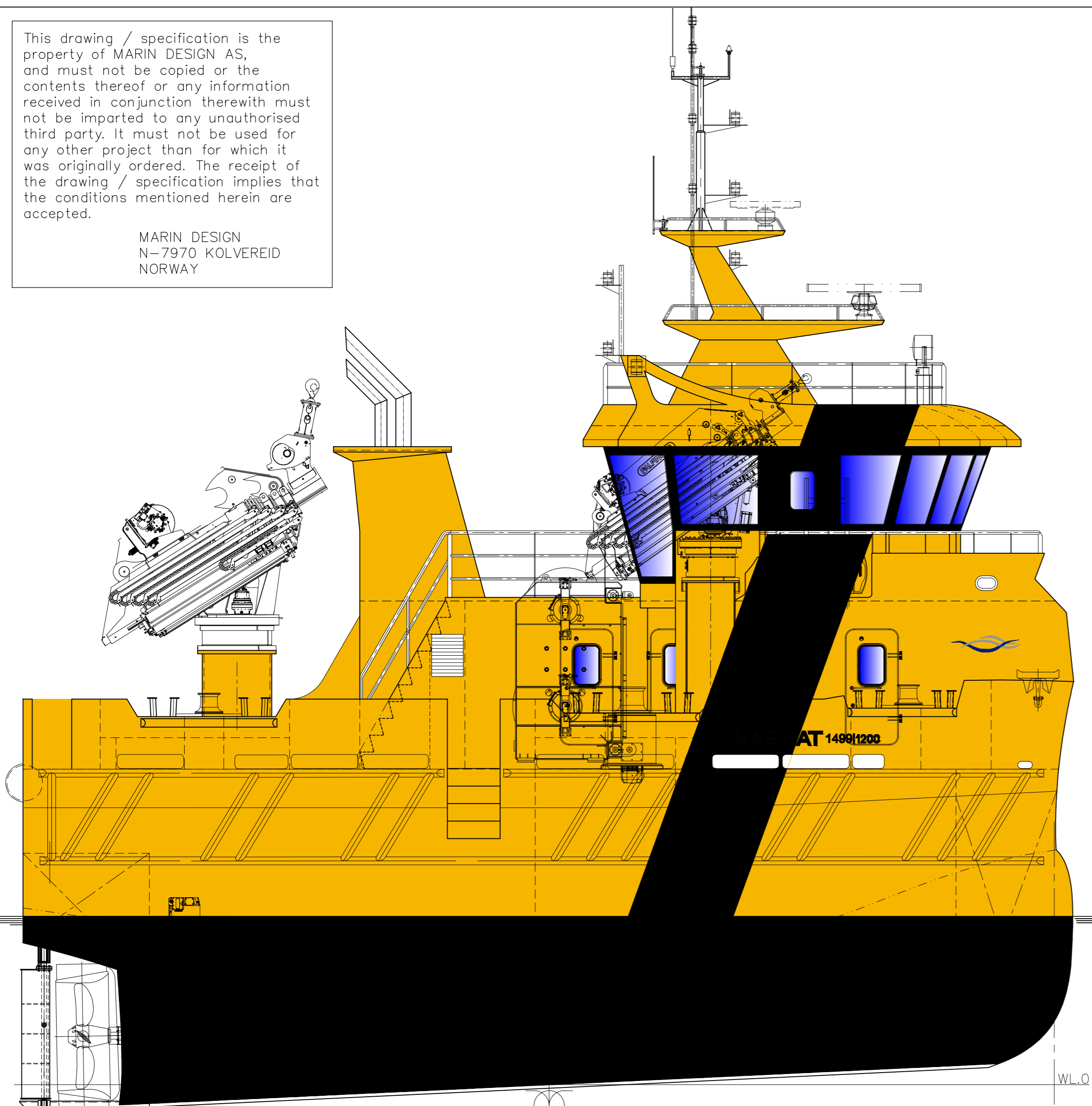
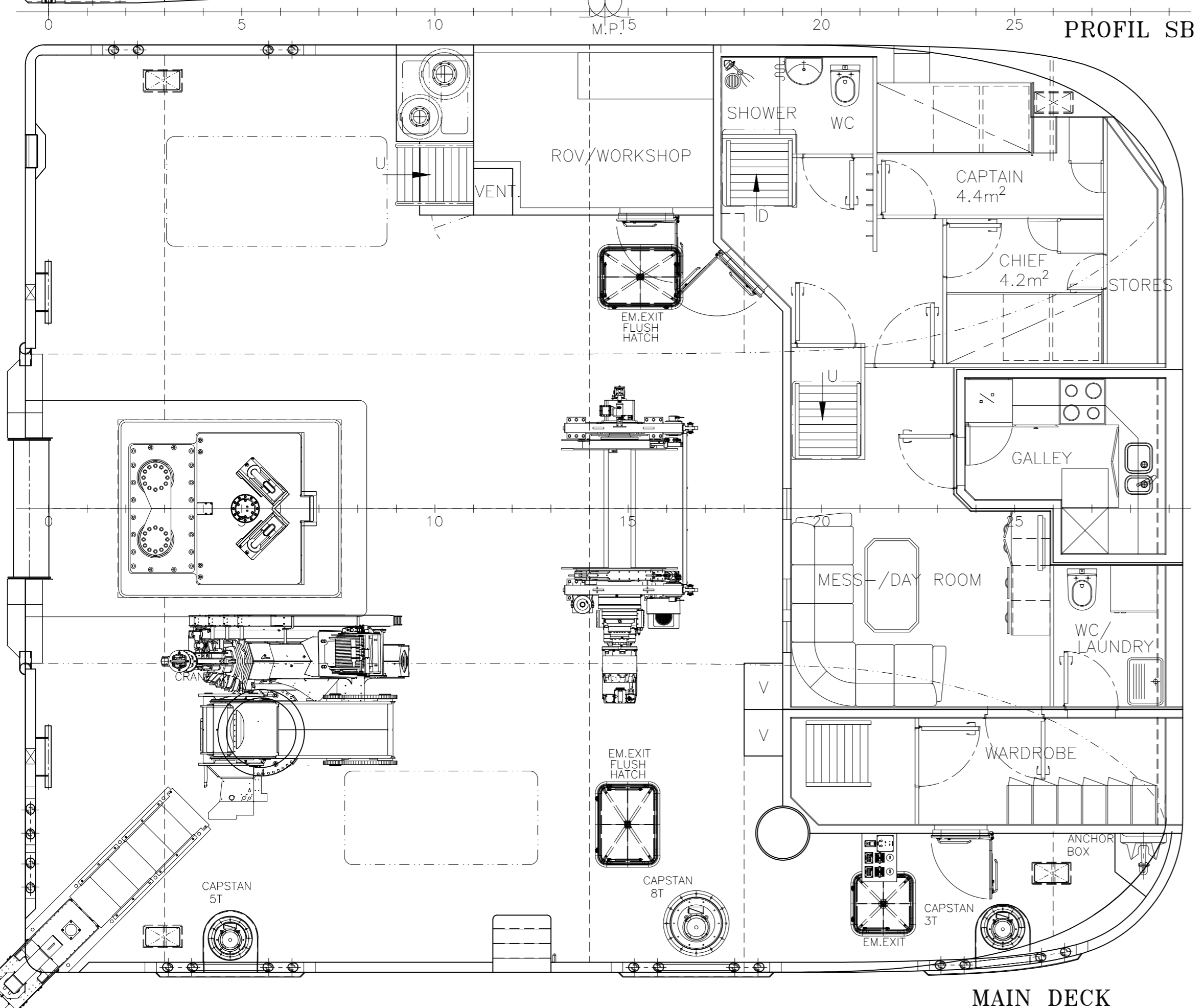


This drawing / specification is the property of MARIN DESIGN AS, and must not be copied or the contents thereof or any information received in conjunction therewith must not be imparted to any unauthorised third party. It must not be used for any other project than for which it was originally ordered. The receipt of the drawing / specification implies that the conditions mentioned herein are accepted.

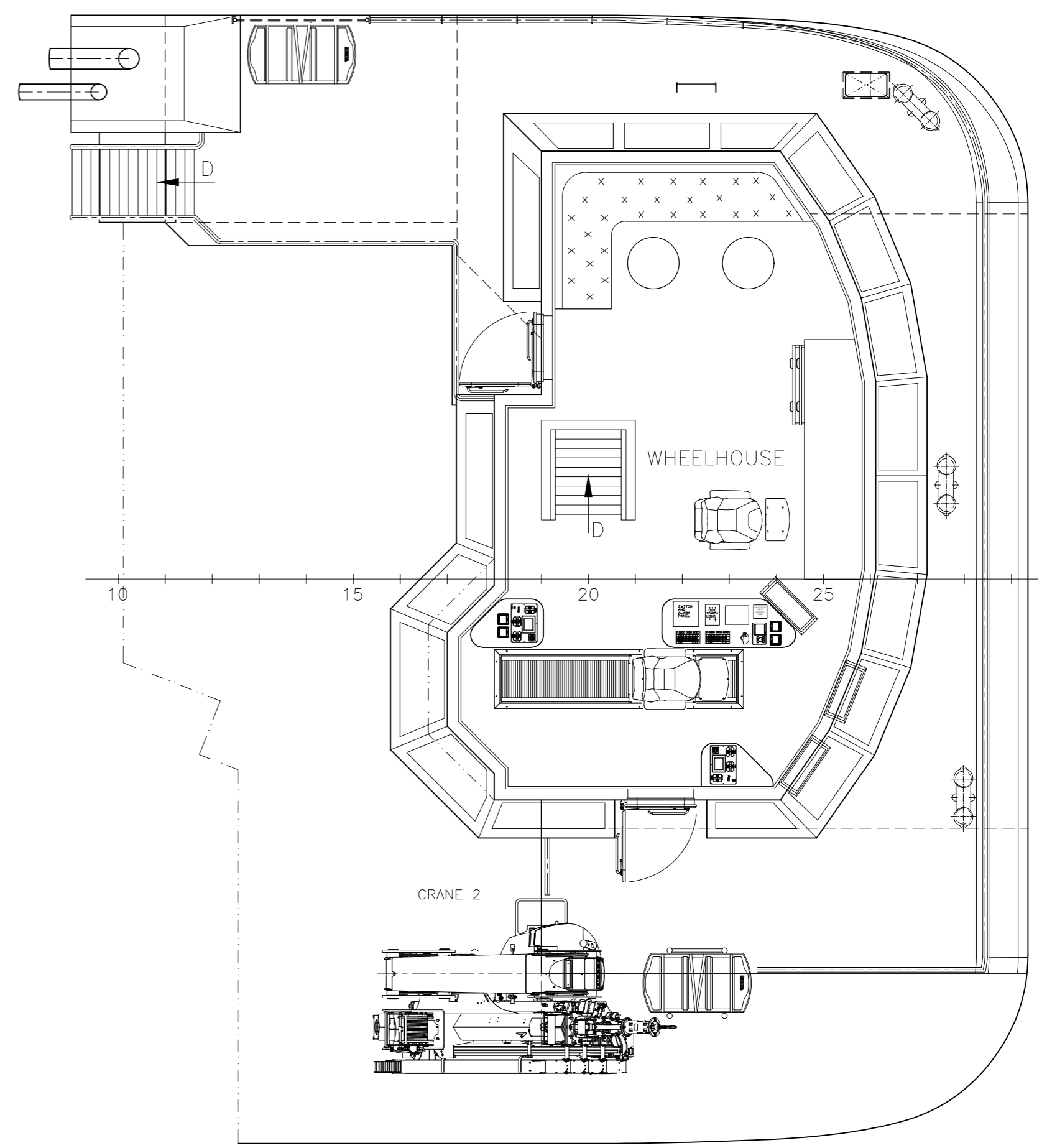
MARIN DESIGN
N-7970 KOLVEREID
NORWAY



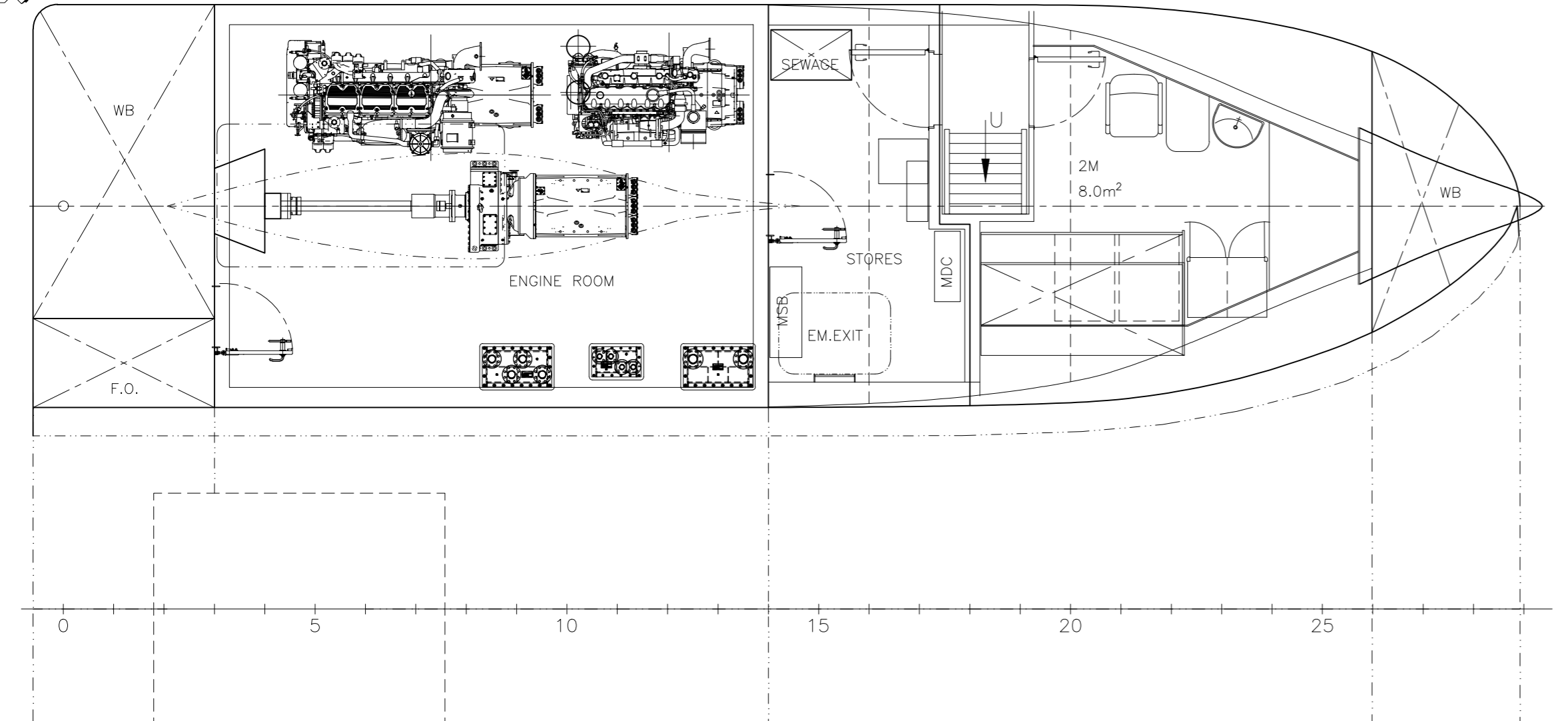
AFT VIEW



MAIN DECK



BRIDGE DECK



BELOW MAIN DECK

MAIN PARTICULARS	
LENGTH O.A. :	14.99 m
LENGTH BETW. PERPS :	14.40 m
BREADTH MLD. :	12.00 m
DEPTH MLD. :	4.50 m
FRAME SPACING :	500 mm
ACCOMMODATION FOR :	6 PERSONS
CAPACITIES	
FUEL OIL :	app. 18.0 m ³
FRESH WATER :	app. 10.4 m ³
CRANE 1 :	PK 150002 M H
CRANE 2 :	PK 41002 (M) G

DESIGNED IN COOPERATION WITH:



4	11.11.22/JK	New hatches on deck and adjusted fenders to ø114,3x8,0.	
3	24.06.22/HR	Updated paint & capstan	
2	26.01.22/HR	Updated boxcoolers.	
1	07.12.21/HR	Minor updates according to 3D-modell.	
REV.:	DATE:	DESCRIPTION:	CONTROL:
OWNER :		NAME:	
YARD No.: 311 - Moen Marin AS		SCALE: 1:50	
		DATE: 16.04.21	
7970 Kolvereid Norway Tlf: +47 74 39 79 00 E-mail: post@marindesign.no		DRAWN BY: AH	
REPLACEMENT FOR:		CONTROL:	
DRAWING No.:		REV.No.:	
GENERAL ARRANGEMENT		21306-101-001	
MD-1510-DDH		4	
PAPER SIZE: A1			

THIS DRAWING AND/OR SPECIFICATION IS THE PROPERTY OF MARIN DESIGN AS AND IS NOT TO BE USED OR DISCLOSED FOR ANY THIRD PERSON WITHOUT OUR PERMISSION.